

How to remove a fixture mount that is too tight

The fixture mount is preattached to the implant and functions as a 'driver' to deliver the implant to the surgical site. The amount of force (insertion torque) required to advance the implant into the prepared osteotomy often exceeds 50 Ncm.

During the assembly process, the fixture mount screw is tightened to a set predetermined value. In certain clinical situations, the fixture mount screw might be difficult to loosen with the handheld driver.

In these cases, the recommendation for loosening the fixture mount screws intraorally is as follows:

Step 1: stabilise the implant with a spanner (I-SP-X) on the hex or square of the fixture mount.

The spanner can be used with either end, depending if the clinician wishes to engage the hex or the square portion of the fixture mount.

Figure 1: engage the hex portion of the fixture mount with the spanner (I-SP-X).

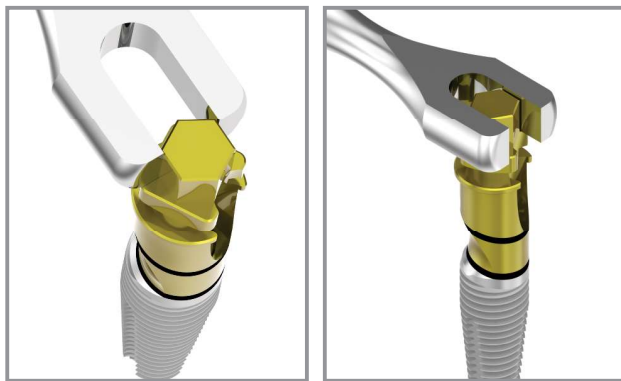
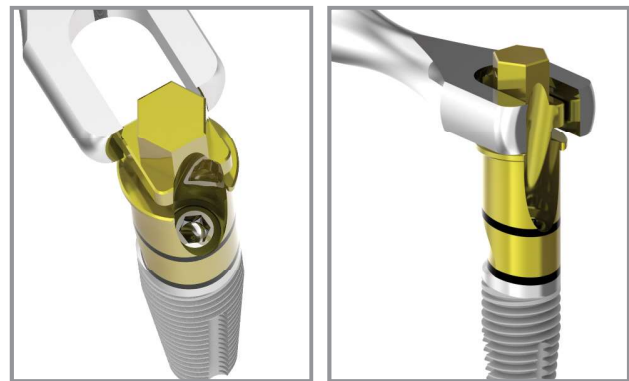


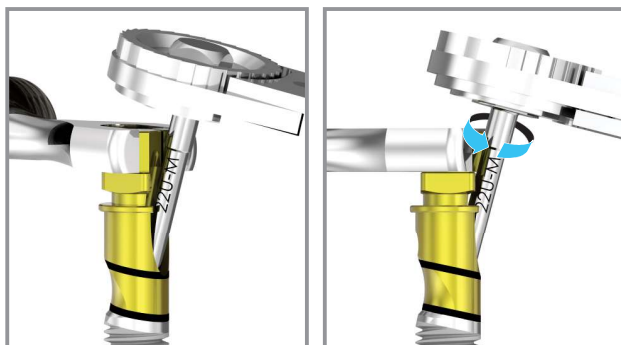
Figure 2: engage the square portion of the fixture mount with the spanner (I-SP-X).



Step 2: engaging the screw driver with the fixture mount screw.

Insert the applicable driver into the torque wrench and insert it to engage the screw in the fixture mount.

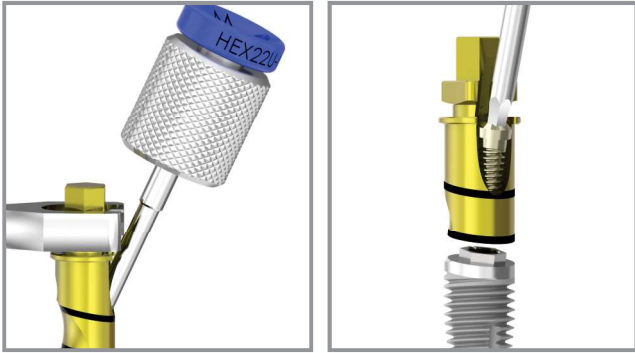
Ensure that reverse torque is applied to undo the screw.



How to remove a fixture mount that is too tight

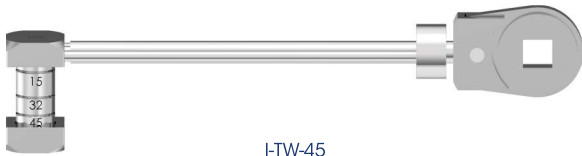
Step 3: removal of fixture mount screw.

With the spanner in place, use hand driver to remove the screw and then detach the fixture mount. Proceed with the procedure as per chosen treatment protocol.



INSTRUMENTATION

Torque Wrenches



I-TW-45



I-TWS-B45

Hex Drivers

UNIVERSAL (1.22/1.27)

Compatible with fixture mount screws on External Hex, Internal Hex, PROVATA® and Deep Conical (DC) implants.



I-HD-22U-S/M/L
Handheld



I-HHD-22U-S/M/L
Handpiece Insert



I-WI-22U-S/M/L
Wrench Insert

Wrench Converters



I-WI-SL

For handpiece inserts (Latch-type) without the W&H hex.



I-WI-SS

For SQUARE connection of fixture mounts and instruments.

Torx Drivers

Compatible with fixture mount screws on Internal Octagon (IT) implants.



I-SCS-S/M/L
Handheld



I-HSCS-S/M/L
Handpiece Insert



I-WI-SCS-S/M/L
Wrench Insert

Please consult CAT-8057 for the full range of handheld, wrench insert and handpiece screwdrivers.

Images are for illustration purposes only and do not necessarily accurately represent the product. Not all products are cleared for sale in all countries.

SOUTHERNIMPLANTS.COM