



## PROVATA® Ø6 Implants

The PROVATA® Implant is the combination of 2 proven designs: external hex body with an internal hex connection. The same implant body shape and thread as the external hex allows for the same surgical kit and site preparation sequence.

Due to increase in demand for a Ø6mm PROVATA® implant, the PROVATA® range has been extended.

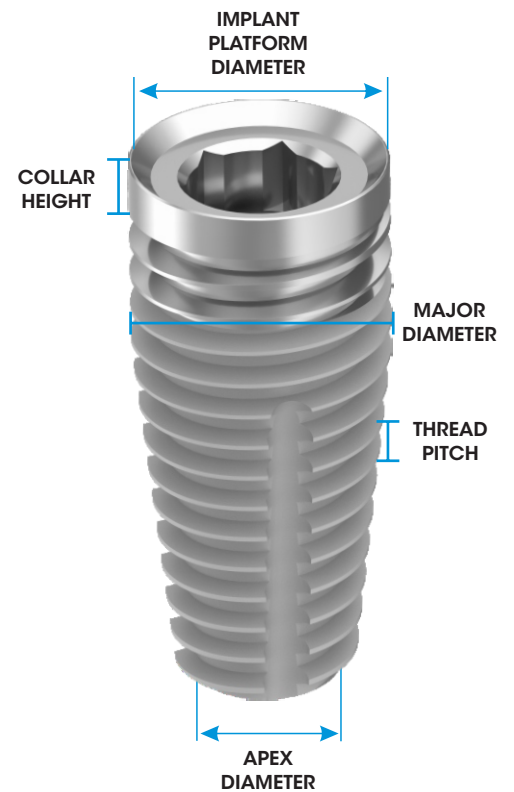
### Implant Dimensions and Information

RANGE	MAJOR DIAMETER	IMPLANT PLATFORM DIAMETER	PROSTHETIC DIAMETER	PROSTHETICS	HEX WIDTH (cross flats)	COLLAR HEIGHT	THREAD PITCH	APEX DIAMETER
 <b>MSC-PRO6</b>	Ø6.0mm	5.70	5.6		3.06	0.6	0.6	4.0

NOTE: Only available in straight and MSc variants.

### Implants are available in lengths of:

ITEM CODE TAPERED	IMPLANT LENGTHS (in mm)
<b>MSC-PRO608</b>	8.5
<b>MSC-PRO610</b>	10
<b>MSC-PRO611</b>	11.5
<b>MSC-PRO613</b>	13
<b>MSC-PRO615</b>	15



### Site Preparation Sequence

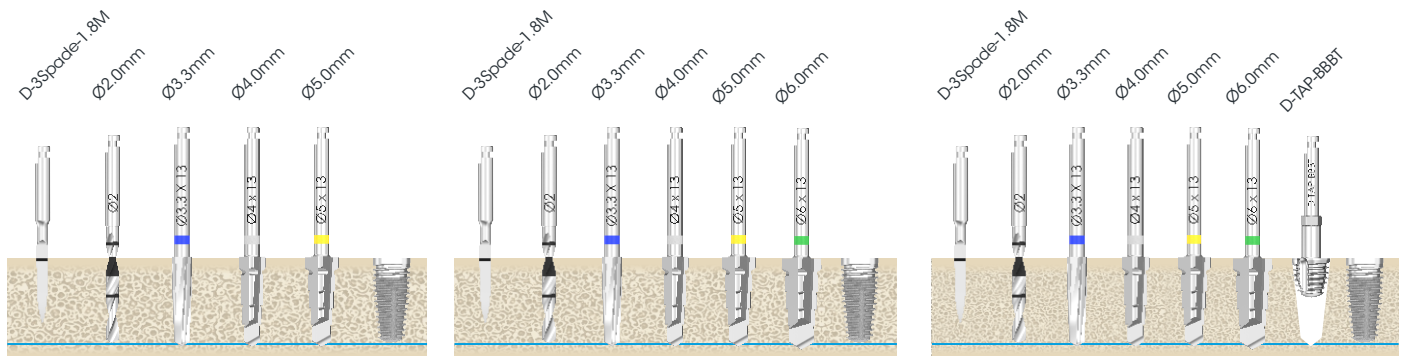
#### Ø6.0mm Tapered (MSC-PRO6)

(illustration is for 13mm implants)

#### Soft Bone

#### Medium Bone

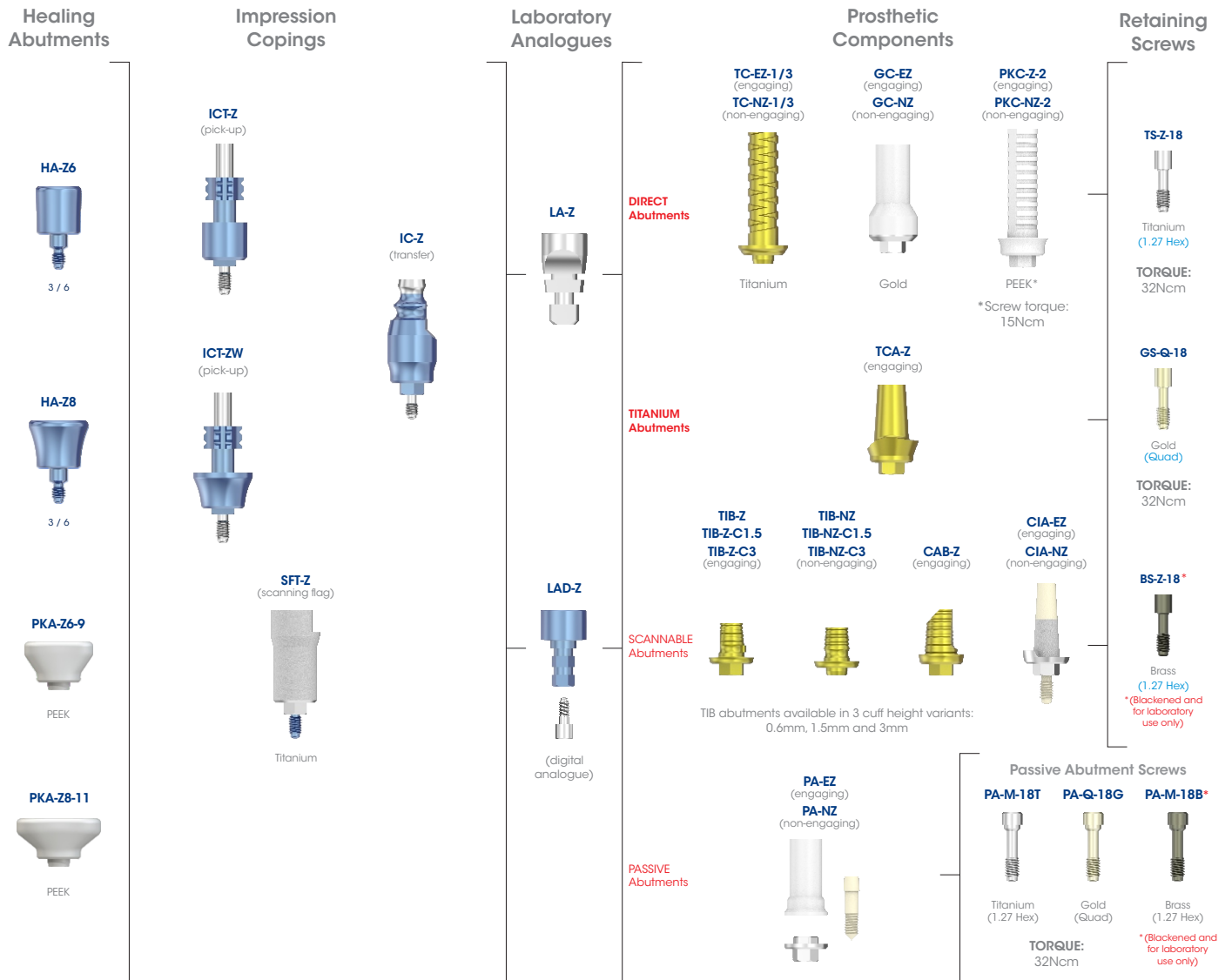
#### Dense Bone



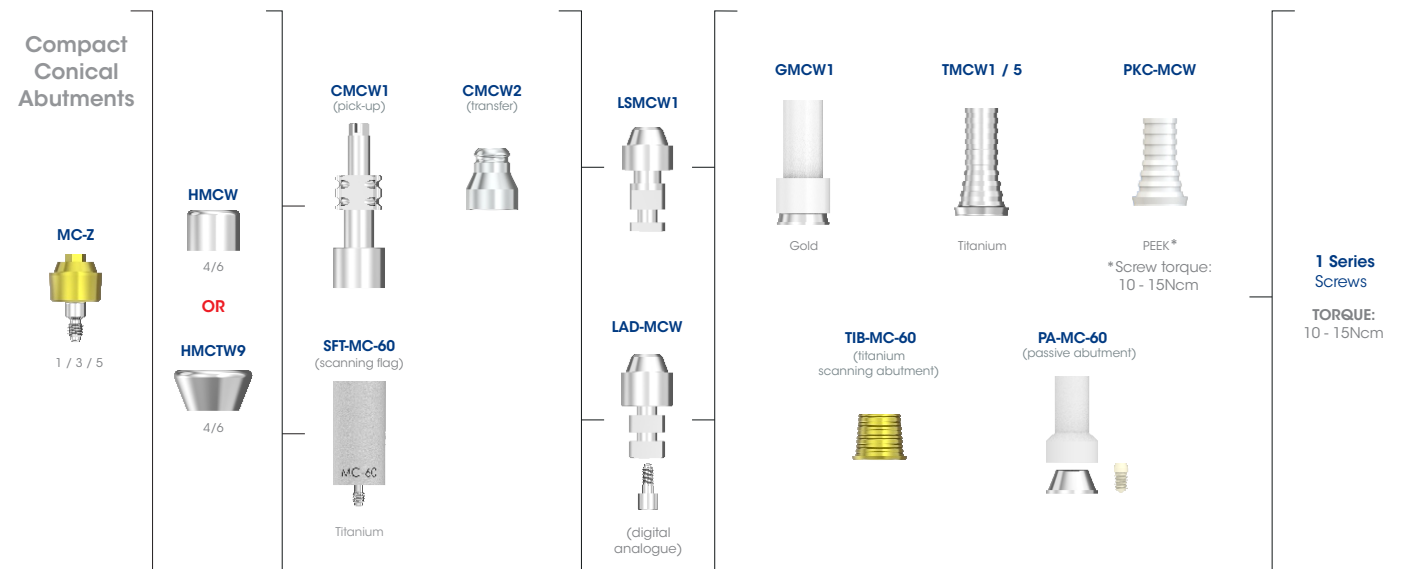
NOTE: site preparation sequence recommended by Southern Implants does not replace the judgement and experience of the surgeon.

Prosthetic Flowchart

DIRECT



INDIRECT



Images are for illustration purposes only and do not necessarily accurately represent the product. Not all products are cleared for sale in all countries.